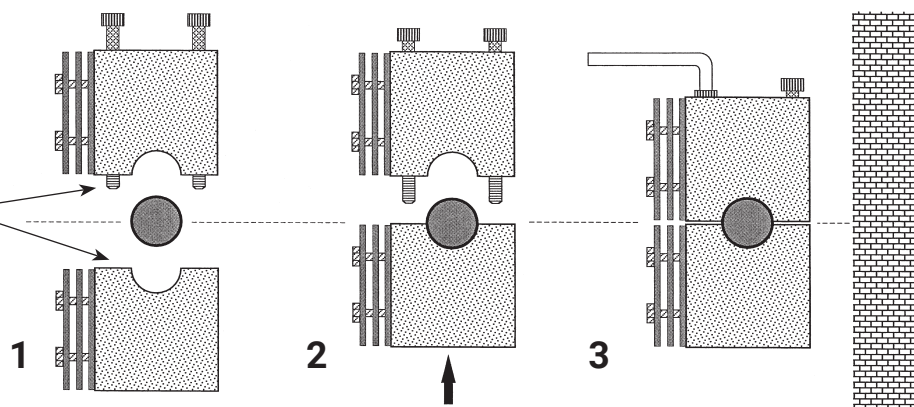


INSTALLATION-INSTRUCTIONS

ATTACHED TO ORDER

- 1 tin of grease
- 1 allen key
- 4 bolts
- 1 sand paper



- 1 Select the installation location upstream or downstream of the water meter, horizontally or vertically, so that there is a straight section of pipe (5 - 20 cm) upstream of the device if possible. (Advantageous, but not a requirement).
- 2 Clean paint, dirt and unevenness from the water pipe at the installation point with an emery cloth and remove dust and moisture.
- 3 Rub the cleaned water pipe with plenty of grease.
- 4 Loosen the four hexagon socket screws of the device and also grease the four screws by the thread.
- 5 Place the two appliance half-shells around the water pipe so that the plastic surfaces are facing forwards.
- 6 Tighten the four hexagon socket screws evenly crosswise so that the bore surface of both appliance half-shells are in firm contact with the water pipe. It must not be possible to turn the appliance once the screws have been tightened. Remove the excess grease with a cloth.
- 7 The bores of the devices are manufactured with a tolerance of ± 0.02 mm so that the bore surface can be firmly seated on the entire diameter surface. For each pipe diameter and each raw material, it is essential to fit exactly the right device. Otherwise the function is severely restricted or corrosion may occur due to the formation of a galvanic element.
- 8 Special diameters are manufactured individually.

IMPORTANT The appliance must not come into contact with electrical cables or earthing straps. (Minimum distance = 1 cm) Do not place any metal objects on the appliance.